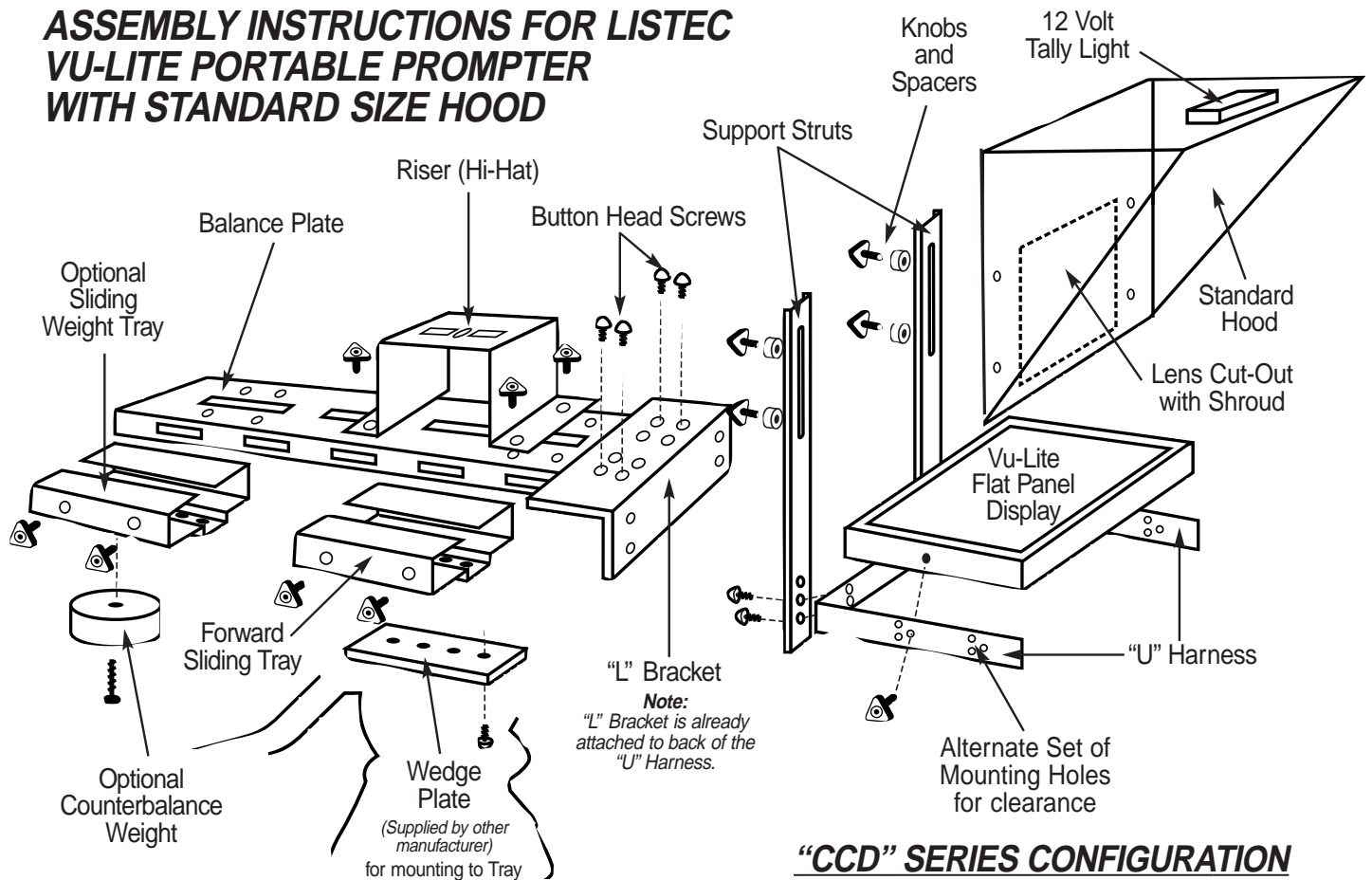


# ASSEMBLY INSTRUCTIONS FOR LISTEC VU-LITE PORTABLE PROMPTER WITH STANDARD SIZE HOOD



**Your Listec Vu-Lite Prompter has been supplied with the mounting hardware specified at the time of ordering. Display Panels are supplied with a U-Harness that is compatible with previous Listec prompter hardware.**

1. Remove **Sliding Tray(s)**.
2. Attach the **Forward Sliding Tray** to the **Wedge Plate** (if applicable) and mount into female adapter on pan head, or screw **Tray** onto the **Pan Head Bolt(s)**.
3. Slide **Balance Plate** over the **Sliding Tray** and secure with **Knobs** provided. Attach **Riser** to the **Balance Plate** as far forward as possible. Mount camera onto **Riser** with camera lens positioned as far inside the **Hood** as possible to avoid vignetting.
4. Attach the **"L" Bracket with the Display Panel** to the **Balance Plate** with the four 3/8-16" x 3/4" **Button Head Screws** supplied.
5. Attach **Support Struts** to rear of **"U" Harness** as shown, using four 1/4 20" x 5/8" **Socket Cap Screws** supplied.
6. Attach the **Hood** to the front of **Support Struts** using four **Knobs** and **Spacers** provided.
7. After attaching the **Hood**, carefully insert **Prompter Mirror** with Colored Dot Label facing out. Secure with clip at the top of the **Hood**. Adjust the height of the Mirror / Hood Assembly as required. *(Please see photo on reverse side.)*
8. Orient the **Flat Panel** in its **"U" Harness** with **Mode Push-buttons** at the rear, towards camera assembly.
9. Connect the Power Adapter Cable from AC Power Supply (or optional DC Power Converter) to the Power Input on the Vu-Lite Flat Panel Display, as well as all of the necessary video cables, i.e. Composite, VGA or S-Video. **Take special care that the arrow on the connector cable lines up with the socket, permitting the pins to engage correctly.**
10. Attach Power Supply or DC Converter to the Tripod Leg (or wherever suitable) with Velcro supplied.

### PLEASE NOTE

**Avoid touching the mirror. Do not use strong ammoniated cleansers.**