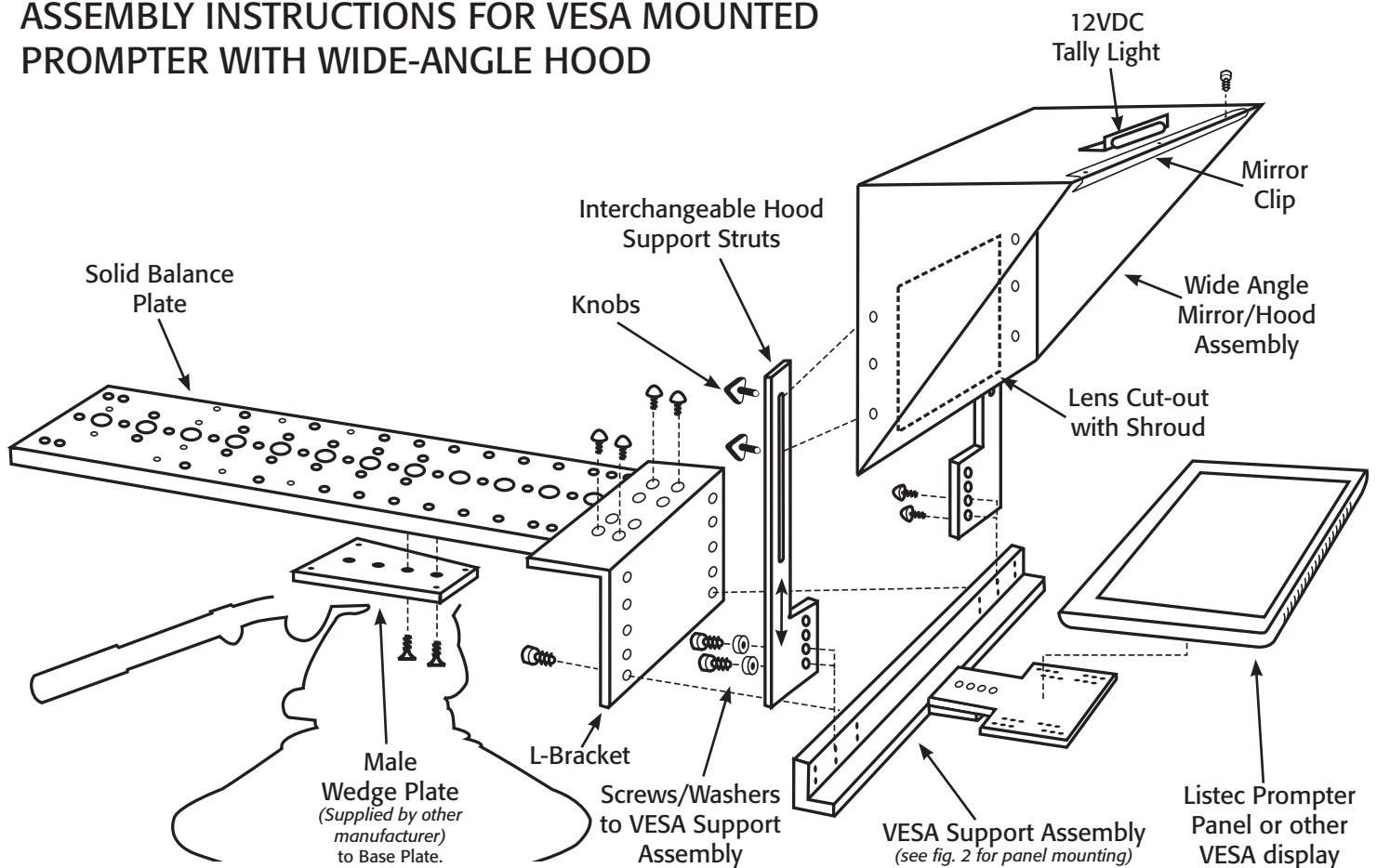


ASSEMBLY INSTRUCTIONS FOR VESA MOUNTED PROMPTER WITH WIDE-ANGLE HOOD



Helpful Hints

- A. Generally the camera's lens should be placed as far inside the hood as possible, without the element touching the glass.
 Together with the Prompter, the camera system should be neutrally balanced fore and aft on the pan & tilt head. The goal is to achieve horizontal balance with the pan head's tilt locks off and drag set to a minimum on fluid heads. Once horizontal balance is achieved, if the camera complement feels out of balance when tilting forward or back, it is suggested that the pan head's center of gravity be adjusted. (Contact the mounting equipment manufacturer for further information.)
 To help determine correct placement of the Male Wedge Plate on the base of the Balance Plate, select a surface large enough to accommodate the camera system with prompter mounted. Place a cylindrical rod on the surface and lay the entire assembly on it cross-wise. Move the camera assembly left/right until it balances fore and aft. This will give a good indication as to where on the Balance Plate the Male Wedge should be attached.
- B. For portable cameras configured with a full-sized studio box-type lens, the Male Wedge Plate should be positioned as far forward as possible on the Balance Plate. This will shift the entire complement back to avoid it being front heavy.
- C. Horizontal balance should be fine tuned once all of the elements are in place.

See next page for installation instructions

1. Attach the **Balance Plate** to the base of the camera through the clearance holes on the plate with the screws provided. (An assortment of sizes has been included.)
2. Attach the male wedge plate to the base of the **Balance Plate**. As noted in **Helpful Hints** above, select a position on the Balance Plate that will optimize horizontal balance of the entire equipment complement.
3. If the **L-Bracket** has not been pre-mounted to the back of the **VESA Support Assembly**, attach it with the screws supplied, selecting one of the multiple sets of vertical positioning holes provided for this purpose. (The two-piece **VESA Support Assembly** is comprised of the rear **VESA Mount** and front **VESA Support Plate**.)
4. If the LCD Display has not been pre-mounted to the **VESA Support Assembly**, please refer to **Fig. 2** for mounting instructions, then proceed as follows: Attach the combined **L-Bracket/VESA Support Assembly** to the top front of the **Balance Plate** with the (4) **3/8-16 x 3/4" button head screws** supplied.
5. Attach the two matching **Hood Support Struts** to the rear of the **VESA Mount** with the **1/4-20 x 1.25" Socket Head Cap Screws** and **1/8" thick Washers** supplied.
6. Secure the **Hood** to the front side of the **Support Struts** with the **Male Knobs** provided.
7. After attaching the **Hood**, carefully slide the **Prompter Mirror** from the top down into the side channels of the **Hood**. The **Colored Dot** indicates the front outside surface of the glass. Position the **Mirror Clip** across the top edge of the **Hood**, securing in place with the three screws provided. (If the image looks slightly out of focus, this could indicate the Mirror has been inserted backwards.)

Caution: Avoid touching the surface of the Mirror. Do not use strong ammoniated cleansers! In combination with a grit-free cloth or paper towel, a reflection free lens cleaner may safely be used.

- 8a. If necessary, vertical placement of the **Hood Assembly** may be adjusted by selecting one of the three sets of holes located on the top rear of the **Hood**.
- 8b. If necessary, vertical placement of the image on the mirror may be modified by adjusting the fore and aft position of the **VESA Support Assembly** (refer to **Fig. 2**). Note: Extending the **VESA Support Plate** forward will raise the image on the Mirror; moving it rearward will move the image down.
9. The **Tally Light** is generally secured to the top front edge of the **Hood**. The wires are tinned and ready for connection to a power source (not supplied by Listec). The metal edge of the **Tally Light** may be slipped under the **Mirror Clip**; or secured with the Velcro supplied.
10. When the camera system has been mounted and horizontal balance achieved, extend the cloth **Shroud** over the lens element and tighten.
11. Fine tune horizontal balance of the entire complement. Once horizontal balance is optimized, ensure all fixing hardware is firmly tightened.
12. The display's **Power Supply** may be attached to the tripod leg, or wherever suitable; strips of Velcro have been supplied for this purpose.

Specifications subject to change without notice.

For technical assistance please call Listec Video Corp. at (NY) 631-273-3029 or (FL) 561-683-3002.



ASSEMBLY INSTRUCTIONS FOR MOUNTING LCD DISPLAY TO THE LISTEC VESA SUPPORT ASSEMBLY

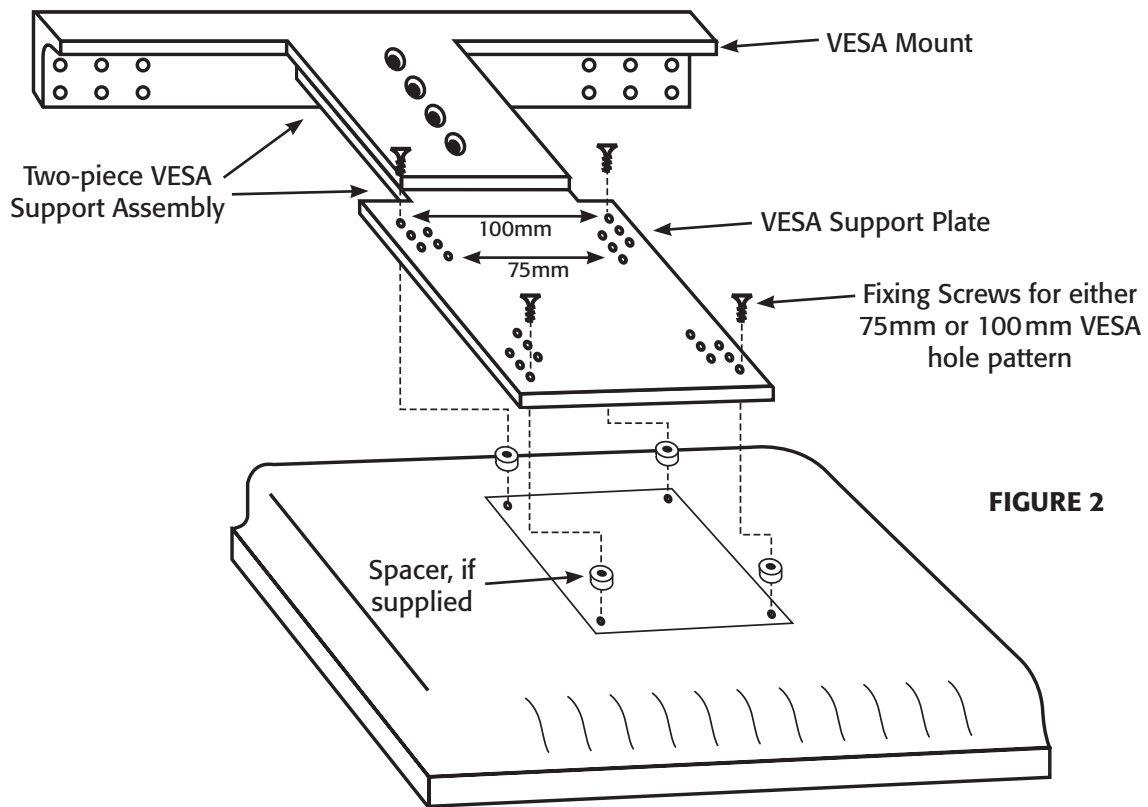


FIGURE 2

If the display has not been pre-mounted to the **VESA Support Assembly**, proceed with mounting, per **Fig. 2** as follows.

1. To avoid marring the face of the LCD, place the display face down on the work surface on a clean, soft cloth.
2. For non-Listec displays, place the four (4) **1/4" Spacers** over the four VESA mounting holes located on the back center of the panel.
3. Position the Two-Piece **VESA Support Assembly** over the **Spacers**, if supplied; or directly over the four fixing holes, as shown in **Fig. 2**.
4. Using the four screws and washers provided, select an appropriate set of holes and secure the **Support Plate** section of the **VESA Support Assembly** to the Display. (Spare screws/washers have been provided.) *Note: For non-Listec displays, a different size screw may be required, other than what has been supplied.*
- b. To accommodate panel placement vis-à-vis the mirror assembly, the two-part **VESA Support Assembly** may be adjusted fore and aft. To change fore and aft positioning, loosen the four screws securing the rear **VESA Mount** to the front section of the assembly and reposition accordingly. Extending the **Support Plate** forward will raise the image on the mirror; moving rearward, will move the image down. **NOTE:** As a guide for positioning non-Listec displays, we would suggest that 8" be allowed from the center of the LCD screen to the rear of the **VESA Mount**.
5. Once the Display has been mounted to the **VESA Support Assembly**, turn the entire assembly over with the Panel facing up. If not already pre-attached, or the **L-Bracket** has been removed, affix the **L-Bracket** to the back of the **VESA Mount** using either the 1/4-20 x 5/8" or 1/4-20 x 1/2" screws supplied.
6. Proceed with installation of the Prompter, as detailed on the cover page(s).

Specifications subject to change without notice.

For technical assistance please call Listec Video Corp. at (NY) 631-273-3029 or (FL) 561-683-3002.